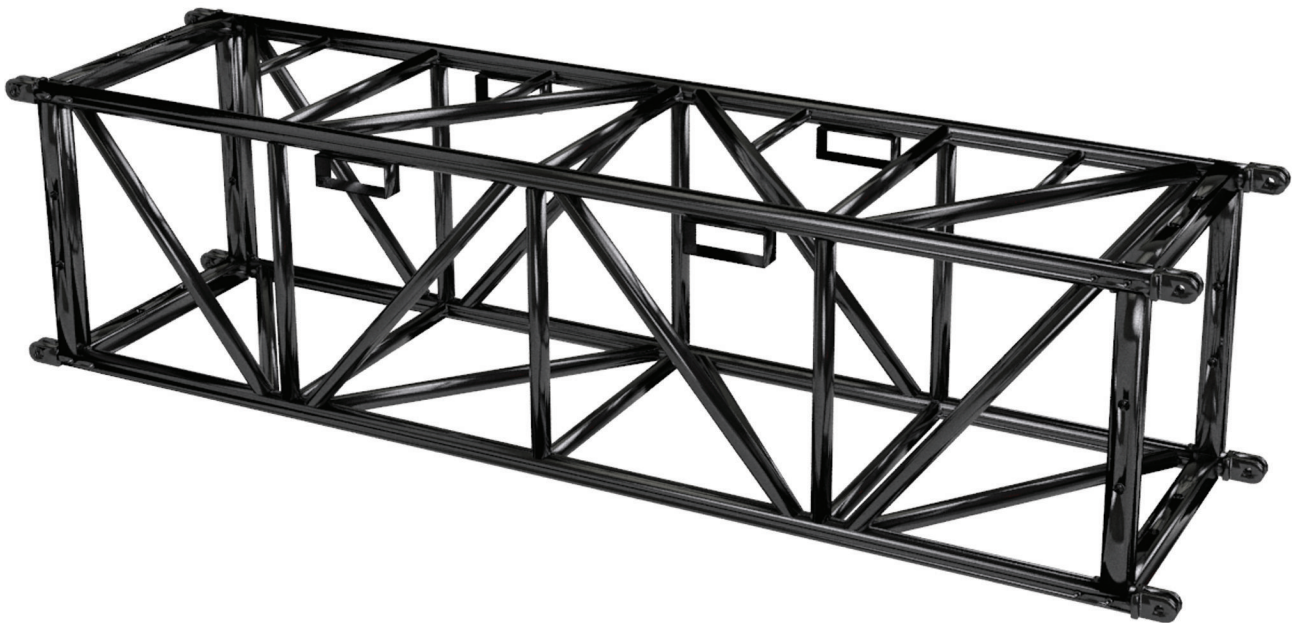


Ultra-heavy loads?

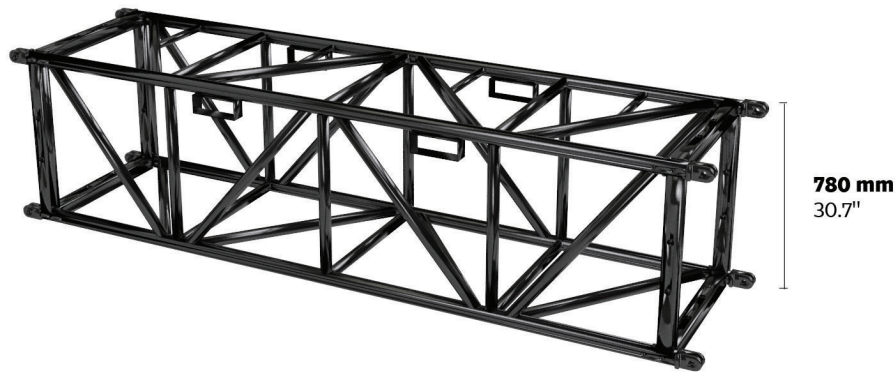
We can handle it!

The 780 x 780 mm MILOS S-M780 Quatro ultra-strength steel tower section is made from special, high strength steel alloys. It handles loads that are many times heavier, and at increased heights, than those supported by similar sized aluminium truss, and all at just double the weight. Each section has horizontal tubing every half metre for ease of climbing. It features double fork couplers, zinc coated pins and is painted black.



- Use of bespoke, high-strength steels
- Orientation-free connector arrangement for ease of use
- Greatly increases load capacity when used in place of aluminium truss in the market with similar dimensions
- Optimised weight to strength ratio
- Pinned connectors for increased strength
- Integrated forklift pick up points
- Matt black, impact-resistant industrial paint finish
- Optimised webbing pattern for ease of use when assembling cross trusses
- End braces with 16mm holes for lateral connection

S-M780 Quatro Steel Truss



S-QTQT	Chords:		Diagonals:		End braces:		Intermediate cross braces:		Self weight (for 3m piece)		Coupler:
	60.3 x 4 mm	24" x 0.16"	48.3 x 3 mm	1.9" x 0.1"	60 x 60 x 4 mm	24" x 24" x 0.16"	48.3 x 3 mm	1.9" x 0.1"	70 kg/m	154 lbs/ft	Fork

S-QTQT		LOADING CHART															
Span		m	ft	7	8	9	10	11	12	13	14	15	16				
Point load		kg	lbs	15719	34660	13695	30197	12114	26711	10843	23909	9797	21602	8920	19669	8173	18021
Deflection		mm	inch	15	0.59	19	0.74	25	0.98	30	1.17	37	1.44	44	1.72	52	2.03
Two point load		kg	lbs	9470	20881	9438	20811	9086	20035	8132	17931	7348	16202	6690	14751	6130	13517
Deflection		mm	inch	15	0.59	23	0.90	31	1.21	39	1.52	47	1.83	56	2.18	65	2.54
Three point load		kg	lbs	6313	13920	6292	13874	6057	13356	5421	11953	4899	10802	4460	9834	4087	9012
Deflection		mm	inch	14	0.55	21	0.82	29	1.13	36	1.40	43	1.68	52	2.03	61	2.38
Four point load		kg	lbs	4735	10441	4719	10405	4703	10370	4518	9962	4082	9001	3717	8196	3406	7510
Deflection		mm	inch	14	0.55	20	0.78	29	1.13	38	1.48	46	1.79	55	2.15	64	2.50
Distributed load		kg/m	lbs/ft	2706	1818	2360	1586	2090	1404	1875	1260	1699	1142	1487	999	1257	845
Deflection		mm	inch	11	0.43	17	0.66	24	0.94	33	1.29	44	1.72	54	2.11	64	2.50
Span		m	ft	14	45.9	15	49.2	16	52.5	17	55.8	18	59.1	19	62.3	20	65.6
Point load		kg	lbs	7529	16601	6966	15360	6470	14266	6028	13292	5632	12419	5274	11629	4949	10913
Deflection		mm	inch	60	2.34	69	2.69	79	3.08	90	3.51	101	3.94	113	4.41	126	4.91
Two point load		kg	lbs	5647	12452	5225	11521	4852	10699	4521	9969	4224	9314	3956	8723	3712	8185
Deflection		mm	inch	76	2.96	87	3.39	99	3.86	112	4.37	126	4.91	140	5.46	155	6.05
Three point load		kg	lbs	3764	8300	3483	7680	3235	7133	3014	6646	2816	6209	2637	5815	2474	5455
Deflection		mm	inch	71	2.77	81	3.16	93	3.63	105	4.10	118	4.60	131	5.11	146	5.69
Four point load		kg	lbs	3137	6917	2903	6401	2696	5945	2512	5539	2347	5175	2198	4847	2062	4547
Deflection		mm	inch	75	2.93	86	3.35	98	3.82	110	4.29	124	4.84	138	5.38	153	5.97
Distributed load		kg/m	lbs/ft	1076	723	929	624	809	544	709	476	626	421	555	373	495	333
Deflection		mm	inch	74	2.89	85	3.32	97	3.78	110	4.29	123	4.80	137	5.34	152	5.93
Span		m	ft	21	68.9	22	72.2	23	75.5	24	78.7	25	82.0	26	85.3	27	88.6
Point load		kg	lbs	4652	10258	4379	9656	4127	9100	3893	8584	3676	8106	3472	7656	3282	7237
Deflection		mm	inch	139	5.42	153	5.97	168	6.55	184	7.18	201	7.84	218	8.50	237	9.24
Two point load		kg	lbs	3489	7693	3284	7241	3095	6824	2920	6439	2757	6079	2604	5742	2462	5429
Deflection		mm	inch	171	6.67	188	7.33	206	8.03	225	8.78	244	9.52	264	10.30	285	11.12
Three point load		kg	lbs	2326	5129	2189	4827	2063	4549	1947	4293	1838	4053	1736	3828	1641	3618
Deflection		mm	inch	161	6.28	177	6.90	194	7.57	211	8.23	230	8.97	249	9.71	270	10.53
Four point load		kg	lbs	1938	4273	1824	4022	1719	3790	1622	3577	1532	3378	1447	3191	1368	3016
Deflection		mm	inch	169	6.59	186	7.25	204	7.96	222	8.66	241	9.40	261	10.18	282	11.00
Distributed load		kg/m	lbs/ft	443	298	398	267	359	241	324	218	294	198	267	179	243	163
Deflection		mm	inch	168	6.55	185	7.22	202	7.88	221	8.62	240	9.36	260	10.14	280	10.92
Span		m	ft	28	91.9	29	95.1	30	98.4	31	101.7	32	105.0	33	108.3	34	111.6
Point load		kg	lbs	3103	6842	2934	6469	2774	6117	2623	5784	2479	5466	2342	5164	2211	4875
Deflection		mm	inch	256	9.98	276	10.76	298	11.62	320	12.48	343	13.38	367	14.31	392	15.29
Two point load		kg	lbs	2327	5131	2201	4853	2081	4589	1967	4337	1859	4099	1756	3872	1658	3656
Deflection		mm	inch	307	11.97	330	12.87	354	13.81	378	14.74	404	15.76	430	16.77	457	17.82
Three point load		kg	lbs	1551	3420	1467	3235	1387	3058	1311	2891	1239	2732	1171	2582	1105	2437
Deflection		mm	inch	291	11.35	313	12.21	335	13.07	359	14.00	384	14.98	409	15.95	436	17.00
Four point load		kg	lbs	1293	2851	1223	2697	1156	2549	1093	2410	1033	2278	976	2152	921	2031
Deflection		mm	inch	304	11.86	327	12.75	350	13.65	374	14.59	400	15.60	426	16.61	453	17.67
Distributed load		kg/m	lbs/ft	222	149	202	136	185	124	169	114	155	104	142	95	130	87
Deflection		mm	inch	302	11.78	325	12.68	348	13.57	372	14.51	398	15.52	424	16.54	451	17.59
Span		m	ft	35	114.8	36	118.1	37	121.4	38	124.7	39	128.0	40	131.2		
Point load		kg	lbs	2085	4597	1965	4333	1850	4079	1739	3834	1632	3599	1529	3371		
Deflection		mm	inch	418	16.30	445	17.36	474	18.49	503	19.62	534	20.83	566	22.07		
Two point load		kg	lbs	1564	3449	1474	3250	1388	3061	1304	2875	1224	2699	1147	2529		
Deflection		mm	inch	485	18.92	514	20.05	544	21.22	575	22.43	607	23.67	639	24.92		
Three point load		kg	lbs	1043	2300	983	2168	925	2040	870	1918	816	1799	765	1687		
Deflection		mm	inch	463	18.06	492	19.19	521	20.32	552	21.53	583	22.74	615	23.99		
Four point load		kg	lbs	869	1916	819	1806	771	1700	725	1599	680	1499	637	1405		
Deflection		mm	inch	481	18.76	510	19.89	540	21.06	570	22.23	602	23.48	635	24.77		
Distributed load		kg/m	lbs/ft	119	80	109	73	100	67	92	62	84	56	76	51		
Deflection		mm	inch	478	18.64	507	19.77	537	20.94	568	22.15	599	23.36	632	24.65		



Headquarters
 Spindlerova 286
 41301 Roudnice nad Labem, CZ
 T +420 416 810 800
 www.areafourindustries.com

Germany
 Johann-Krone-Weg 27
 48149 Münster, DE
 T +49 251 202 4014-0
 www.areafourindustries.de

United Kingdom
 Unit 5-6 Beechwood Estate, Cattle Dyke
 Gorefield Wisbech Cambridgeshire
 PE13 4NR, UK
 T+44 (0)1945 410700
 www.areafourindustries.co.uk

USA
 5421 N. National Dr.
 Knoxville, TN 37914, USA
 T +1 800 411 0065
 www.areafourindustries.us